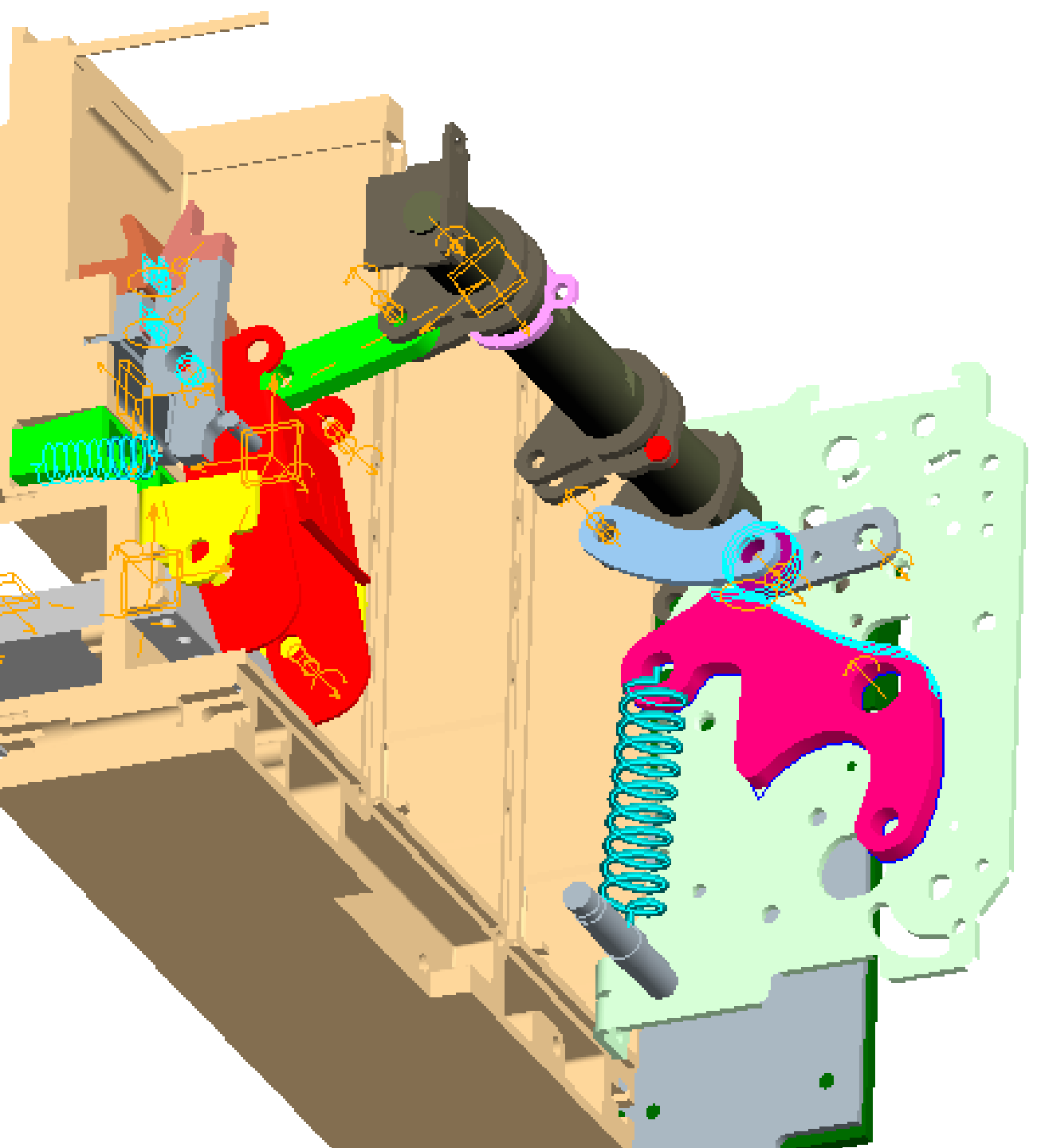


HENRY LEE

SAMPLE PROJECT PORTFOLIO

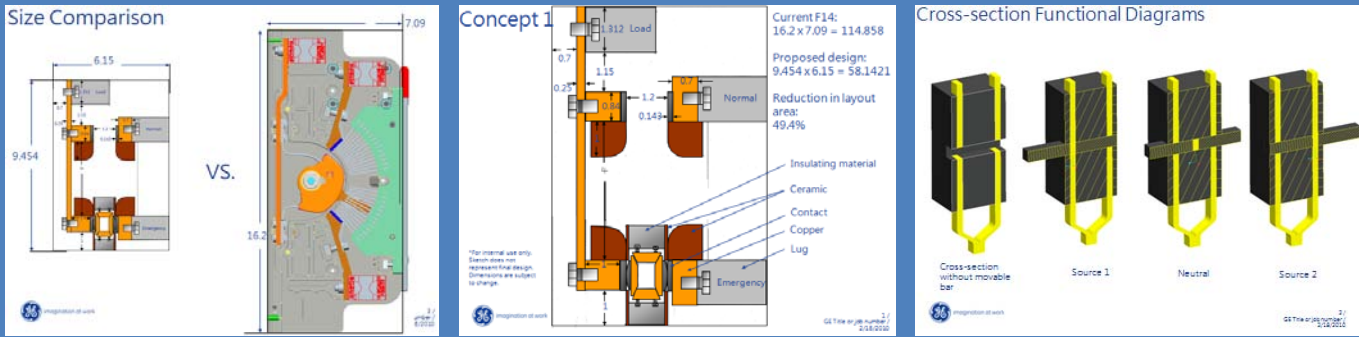


DOUBLE BREAK LINEAR MECHANISM

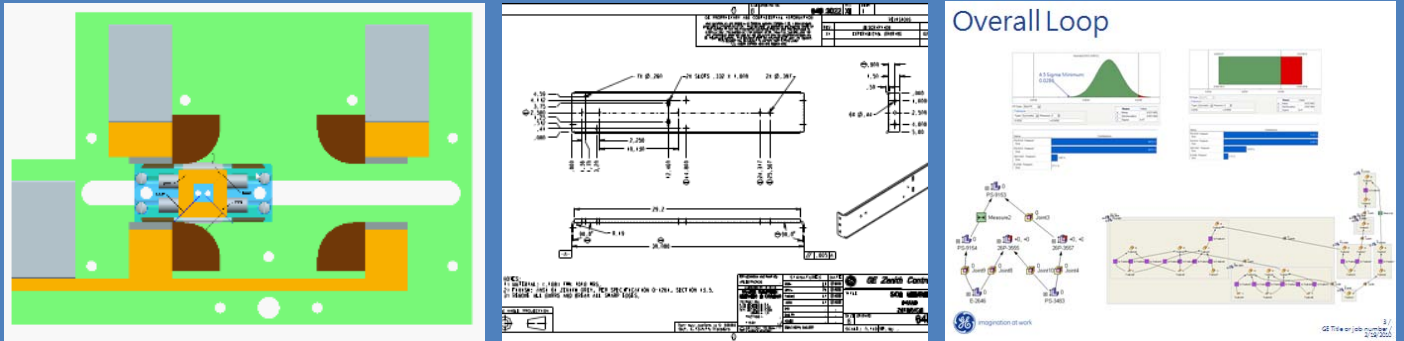
Project Leader

Project Description: Innovative and patentable mechanism design creation to reduce product cost and size by 50% while improving performance capacities

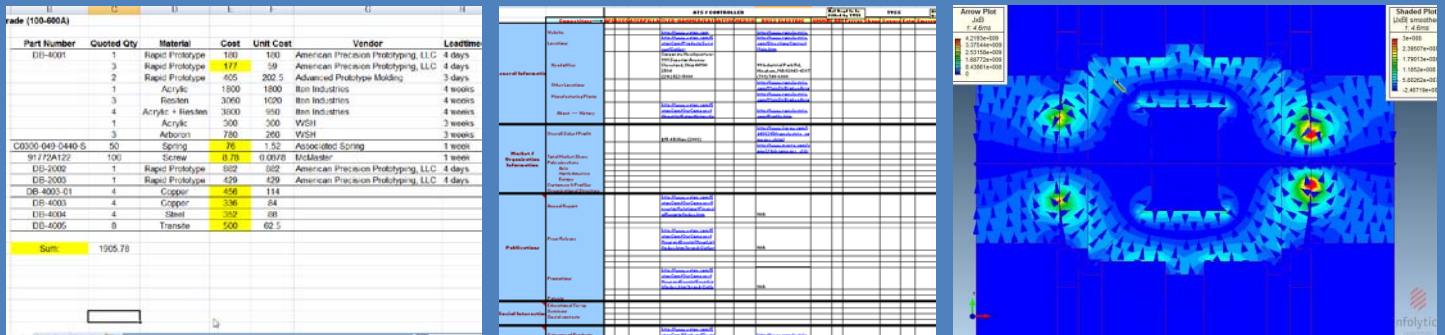
Original core mechanism creations, Patent drafting and application



Modeling, Drawings Creation/Management, Geometric Tolerancing, Tolerance Loop Analyses



Cost Analyses, IP Landscaping and Competitor Analyses, Electromagnetism Simulation



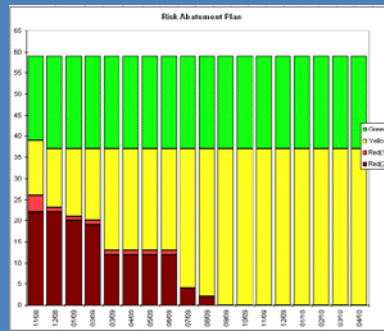
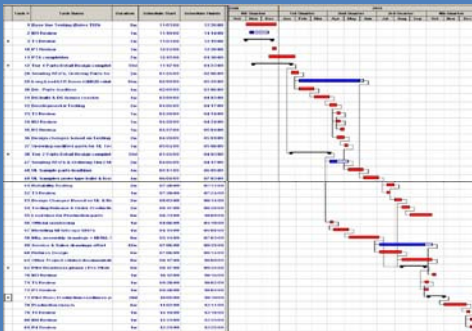
64B ATS DESIGN PROJECT

Chicago Side Project Leader

Annual Benefits: \$530,000

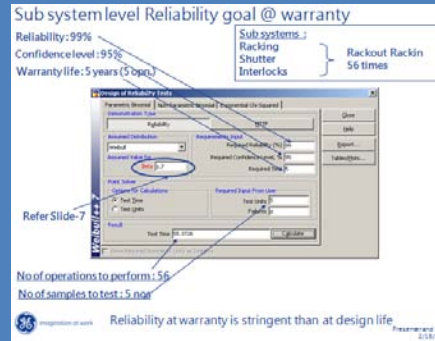
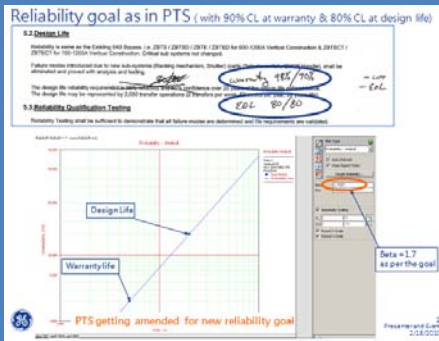
Timeline: 52 Fiscal Weeks

Project Schedule Planning, Risk Assessment



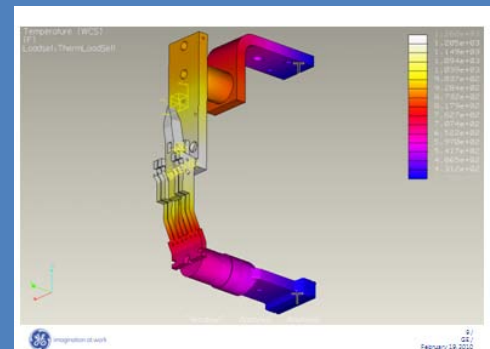
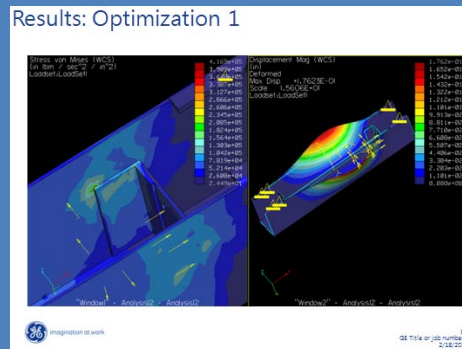
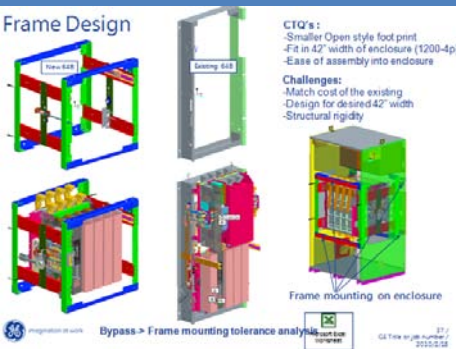
ROBUST PRODUCT DESIGN FACTOR VALIDATION			
GENERAL FACTORS	Weight	Score	Comments
Manufacturing experience	1	3	1 year of experience in similar product line
Customer experience	1	3	1 year of experience in similar product line
SCORE	2	6	
Technical complexity	1	3	No unique skill required to solve technical barriers and domain knowledge
SCORE	1	3	
Product experience	1	3	1 to 2 years experience in similar product technology
SCORE	1	3	
Market Size / Position	1	3	Market size understood and clear analysis complete with customer volume
SCORE	1	3	

Reliability Goal Studies, Failure Modes and Effects Analyses, Prototype Cycling Testing



Failure Mode	Effect	Severity	Occurrence	Detection	Control	Prevention	Residual Risk
...

Mechanical System Designs, Stress Analyses, Modal Analyses, Thermal Heat Transferring Analyses



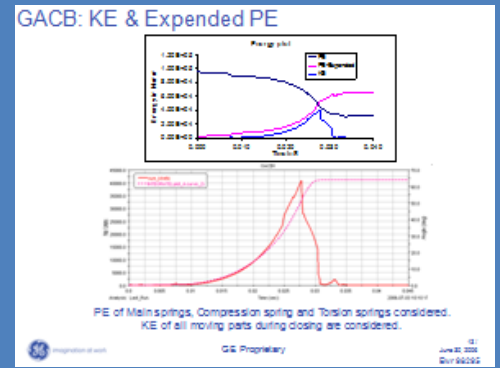
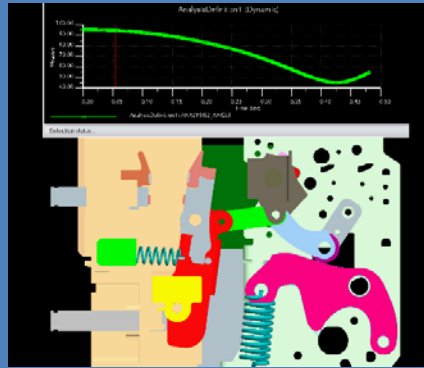
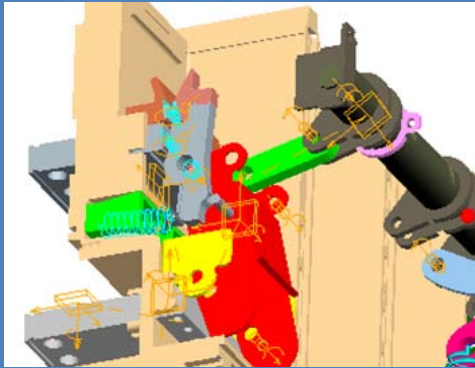
ZTE2.0 DESIGN PROJECT

Chicago Side Project Leader

Projected Annual Revenue: \$3,400,000

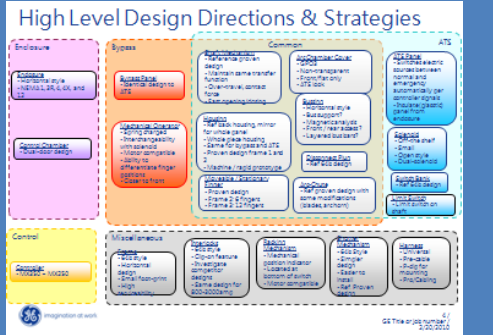
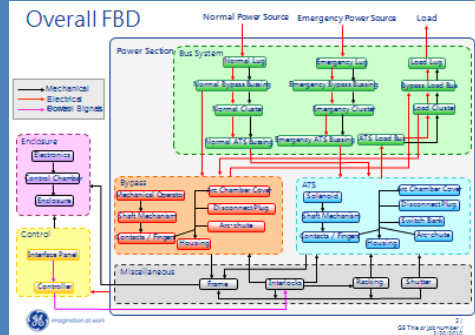
Timeline: 70 Fiscal Weeks

Pro/Mechanism Dynamic Simulations and Engineering Predictive Analyses

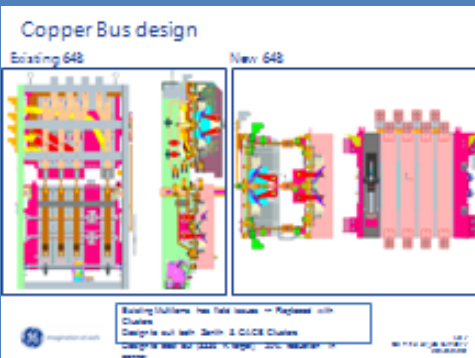


Patent Clearance Search, Product Functional Block Diagram, Design Strategies Planning

Item No.	Title	Description	Change	Rev	Created By	Checked By
001001	Patent Clearance Search	Patent clearance search for the proposed design. The search results are used to identify any potential patent infringement issues. The search results are used to identify any potential patent infringement issues. The search results are used to identify any potential patent infringement issues.		1	John Doe	John Doe
001002	Product Functional Block Diagram	Product Functional Block Diagram (FBD) showing the high-level architecture of the system. The FBD shows the interaction between various functional blocks and their data flow.		1	John Doe	John Doe
001003	Design Strategies Planning	Design Strategies Planning document outlining the key design goals, constraints, and strategies for the project. The document provides a roadmap for the design process and identifies the key risks and challenges.		1	John Doe	John Doe



Technical Review Project Presentation, Sourcing, Manufacturing, Safety, and Commercial Reviews



Item No.	Title	Description	Change	Rev	Created By	Checked By
001004	Technical Review Project Presentation	Technical Review Project Presentation document outlining the key design goals, constraints, and strategies for the project. The document provides a roadmap for the design process and identifies the key risks and challenges.		1	John Doe	John Doe
001005	Sourcing	Sourcing document outlining the key design goals, constraints, and strategies for the project. The document provides a roadmap for the design process and identifies the key risks and challenges.		1	John Doe	John Doe
001006	Manufacturing	Manufacturing document outlining the key design goals, constraints, and strategies for the project. The document provides a roadmap for the design process and identifies the key risks and challenges.		1	John Doe	John Doe
001007	Safety	Safety document outlining the key design goals, constraints, and strategies for the project. The document provides a roadmap for the design process and identifies the key risks and challenges.		1	John Doe	John Doe
001008	Commercial	Commercial document outlining the key design goals, constraints, and strategies for the project. The document provides a roadmap for the design process and identifies the key risks and challenges.		1	John Doe	John Doe

Item No.	Title	Description	Change	Rev	Created By	Checked By
001009	SOURCING REVIEW 2 - PROGRAM SPECIFICATION FREEZE	SOURCING REVIEW 2 - PROGRAM SPECIFICATION FREEZE document outlining the key design goals, constraints, and strategies for the project. The document provides a roadmap for the design process and identifies the key risks and challenges.		1	John Doe	John Doe
001010	Technical Review Project Presentation	Technical Review Project Presentation document outlining the key design goals, constraints, and strategies for the project. The document provides a roadmap for the design process and identifies the key risks and challenges.		1	John Doe	John Doe
001011	Sourcing	Sourcing document outlining the key design goals, constraints, and strategies for the project. The document provides a roadmap for the design process and identifies the key risks and challenges.		1	John Doe	John Doe
001012	Manufacturing	Manufacturing document outlining the key design goals, constraints, and strategies for the project. The document provides a roadmap for the design process and identifies the key risks and challenges.		1	John Doe	John Doe
001013	Safety	Safety document outlining the key design goals, constraints, and strategies for the project. The document provides a roadmap for the design process and identifies the key risks and challenges.		1	John Doe	John Doe
001014	Commercial	Commercial document outlining the key design goals, constraints, and strategies for the project. The document provides a roadmap for the design process and identifies the key risks and challenges.		1	John Doe	John Doe